

HIGHBAY LIGHTING

Introducing the **ANORA SUSPENDED**



The **ANORA SUSPENDED** is a rectangular surface highbay luminaire with high power LEDs and efficient optics providing multiple light distribution options. Extruded aluminium heatsinks ensure optimum operating temperature and long life for the high power LEDs.

**LIGHTING
INNOVATIONS
AFRICA**

A member of the Fagerhult Group

Connecting Light.
Creating **Life.**



ANORA SUSPENDED

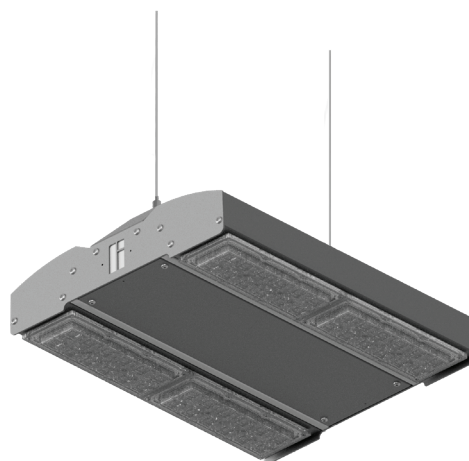
Product Benefits



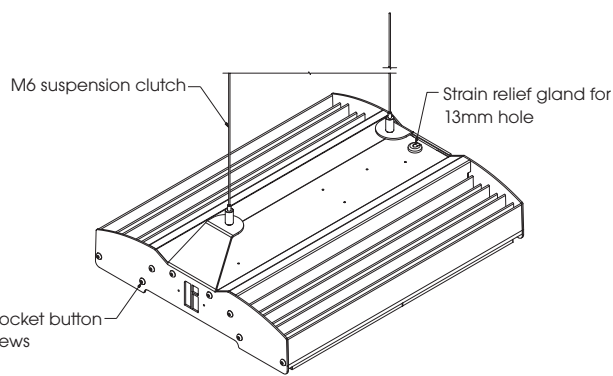
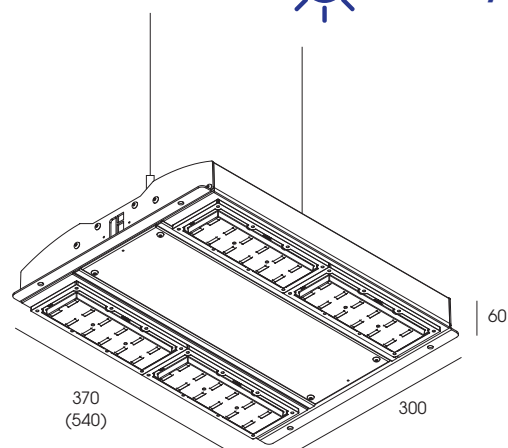
- Energy efficient
- Low maintenance
- SABS approved control gear
- SABS safety mark

Product Features

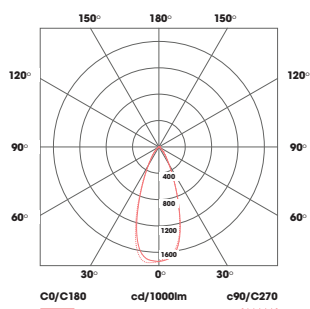
- Extruded aluminium heatsinks with mild steel gear compartment.
- Exterior powder coat finish – Black or White as standard – special colours available on request
- Separate gear compartment
- Four light distribution options – 25°, 60°, 100° and Oval 30° x 115° for narrow racking applications.
- Standard Ra 70 with Ra 80 or Ra 90 available on request
- CCT 4000K or 5000K as standard – additional options available on request
- Variable output possible by setting different drive currents – 48 LED and 72 LED versions
- Integral surge protection 10Kv option
- Life $L_{80B_{10}}$ 50,000 hours
- Driver Life F_{10} 100,000 hours
- Supply = 220-240V 50-60Hz PF>0.95
- Ripple (Flicker) < 5%
- 5 year guarantee



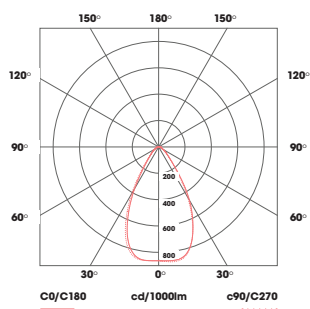
 **130 lm/W**



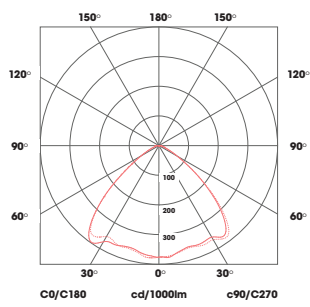
Medium 25° (M25)



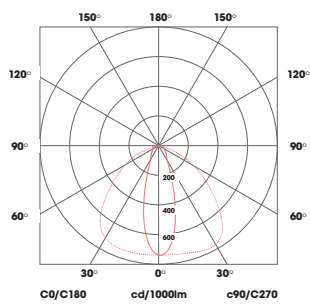
Wide 60° (W60)



Extra Wide 100° (XXW)



Oval 30° X 115° (OVAL)



Efficacy Rating

-  **PREMIUM RANGE** >140 lm/W
-  **MID RANGE** 120 - 140 lm/W
-  **ECO RANGE** 100 - 120 lm/W

Luminaire Wattage	Number of LEDs	Luminaire Output (Lumens)	Colour Temperature	Efficacy lm/W	Ra (CRI)	Reference Code
4 Module						
108W (700mA)	48	14 070	4000K	130	>70	SANP-108W-4C-4K
140W (900mA)	48	17 900	4000K	128	>70	SANP-140W-4C-4K
163W (1050mA)	48	20 700	4000K	127	>70	SANP-163W-4C-4K
6 Module						
215W (900mA)	72	26 880	4000K	128	>70	SANP-215W-6C-4K
245W (1050mA)	72	31 050	4000K	127	>70	SANP-245W-6C-4K

Add the required light distribution abbreviation to the end of the Reference Code when ordering
eg. SANP-108W-4C-4K-W60'