

RECESSED LIGHTING

Introducing the  
**C-STYLE**



The **C-STYLE** is an efficient edge-lit LED panel for recessed, surface mount and suspended applications for offices, schools, shopping centres and reception areas.

**LIGHTING  
INNOVATIONS  
AFRICA**

A member of the Fagerhult Group

**Connecting** Light.  
Creating **Life.**





**Product Benefits**

- Attractive and efficient
- Remote LED driver
- Easy installation
- Low maintenance
- SABS approved driver
- SANS-IEC 60598 safety compliance and mark

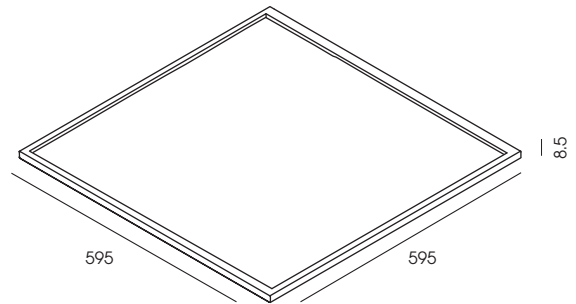
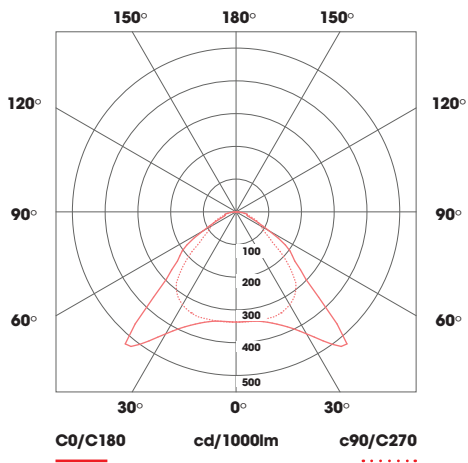


**Product Features**

- Efficient edge-lit opal diffuser
- Available in a wide light distribution
- Variable light output possible by adjusting LED drive current
- Options include DALI dimming, LI-Connect Bluetooth mesh control and emergency
- Optional surface housing for surface or suspended applications
- Long life
- Available in 600x600
- LED life  $L_{70B_{50}}$  - 50 000 hours
- Driver life  $F_{10}$  - 100 000 hours
- Supply - 220-240V 50-60Hz PF > 0.95
- Surge current (flicker) < 5%
- 5 year guarantee

**105 lm/W**

**Wide Beam**



**Efficacy Rating**

- PREMIUM RANGE** >140 lm/W
- MID RANGE** 120 - 140 lm/W
- ECO RANGE** 100 - 120 lm/W

Luminaire Wattage	Luminaire Output (Lumens)	Colour Temperature	Efficacy lm/W	Ra (CRI)	Reference Code
<b>Wide Beam</b>					
27W (700mA)	2 800	4000K	104	>80	REC-27W-6-WB-4K
36W (800mA)	3 800	4000K	105	>80	REC-36W-6-WB-4K