

RECESSED LIGHTING

Introducing the  
**TREND**



The **TREND** is an efficient semi-direct LED luminaire with specular super-purity aluminium louvre for attractive and low glare recessed applications for offices, schools, shopping centres and reception areas .

**LIGHTING  
INNOVATIONS  
AFRICA**

A member of the Fagerhult Group

**Connecting** Light.  
Creating **Life.**



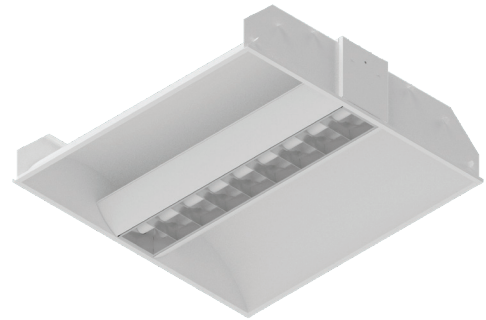


**Product Benefits**

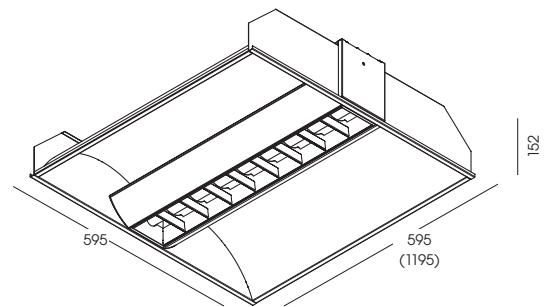
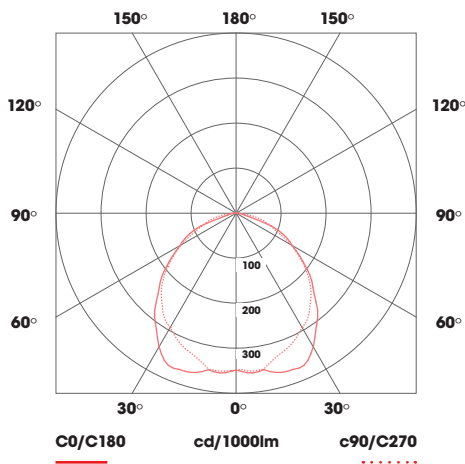
- Attractive and efficient
- Low glare – UGR < 19
- Integral LED driver
- Easy installation
- Low maintenance
- SABS approved driver
- SANS-IEC 60598 safety compliance and mark

**Product Features**

- Efficient specular louvre with indirect portion
- Variable light output possible by adjusting LED drive current
- Options include DALI dimming, Li-Connect Bluetooth mesh control and emergency
- Long life
- Available in 600x600 and 1200x600 formats
- LED life  $L_{80B_{10}}$  – 50 000 hours
- Driver life  $F_{10}$  – 50 000 hours
- Supply – 220–240V 50–60Hz PF > 0.95
- Surge current (flicker) < 5%
- 5 year guarantee



 **120 lm/W**



**Efficacy Rating**

-  **PREMIUM RANGE** >140 lm/W
-  **MID RANGE** 120 - 140 lm/W
-  **ECO RANGE** 100 - 120 lm/W

Luminaire Wattage	Luminaire Output (Lumens)	Colour Temperature	Efficacy lm/W	Ra (CRI)	Reference Code
<b>600x600</b>					
30W	3 500	4000K	119	>80	RTR-30W-3R6
35W	4 130	4000K	118	>80	RTR-35W-3R6
<b>1200x600</b>					
50W	6 450	4000K	120	>80	RTR-50W-3R12
69W	8 190	4000K	119	>80	RTR-69W-3R12