



Introducing the **STILETTO**



The **STILETTO** is a surface mounted dust proof luminaire with an opal polycarbonate diffuser with reeded sides and diffuser base, retained along the full length by the rolled steel body profile with screw retained moulded polycarbonate end-caps.

**LIGHTING
INNOVATIONS
AFRICA**

A member of the Fagerhult Group

Connecting Light.
Creating **Life.**



STILETTO



Product Benefits

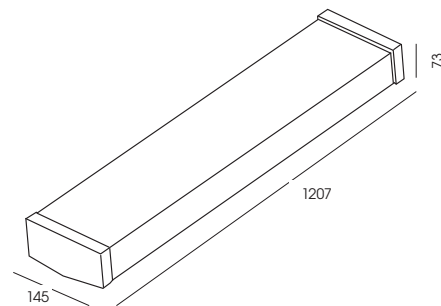
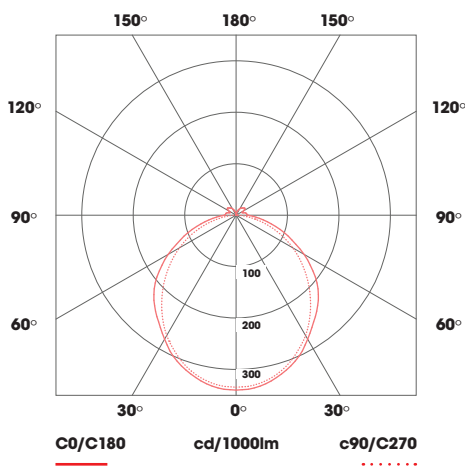
- Attractive and efficient
- Low energy consumption
- Long life
- Low maintenance
- SANS-IEC 60598 safety mark

Product Features

- Powder coated rolled steel body
- Extruded opal polycarbonate diffuser
- Integral LED driver and optional 10kV surge arrestor
- Available in CCT 3000K, 4000K and 5000K
- Options include DALI dimming, emergency and LI-Connect Bluetooth mesh control including Organic Response sensor
- LED life $L_{80}B_{10}$ - 50,000 hours
- Driver life F_{10} - 100,000 hours
- Supply - 220-240V 50-60Hz PF > 0.95
- Ripple current (Flicker) < 5%
- 5 year guarantee



 **139 lm/W**



Efficacy Rating

-  **PREMIUM RANGE** >140 lm/W
-  **MID RANGE** 120 - 140 lm/W
-  **ECO RANGE** 100 - 120 lm/W

Luminaire Wattage	Luminaire Output (Lumens)	Colour Temperature	Efficacy lm/W	Ra (CRI)	Reference Code
22W	2 800	4000K	131	>85	STI-22W-12
28W	3 600	4000K	129	>85	STI-28W-12
39W	5 300	4000K	139	>85	STI-39W-12
52W	7 200	4000K	139	>85	STI-52W-12