

# URBAN AMENITY LIGHTING

## Introducing the **SHRIKE**



The **SHRIKE** is a rectangular design post-top for exterior lighting of walkways, cycle paths and parking areas at mounting heights of 2.5m to 8m. Plinth mount and planted options available.

**LIGHTING  
INNOVATIONS  
AFRICA**

A member of the Fagerhult Group

**Connecting** Light.  
Creating **Life.**





## Product Benefits

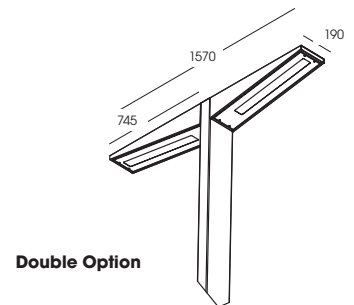
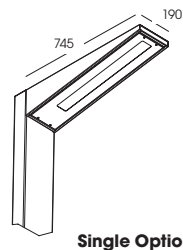
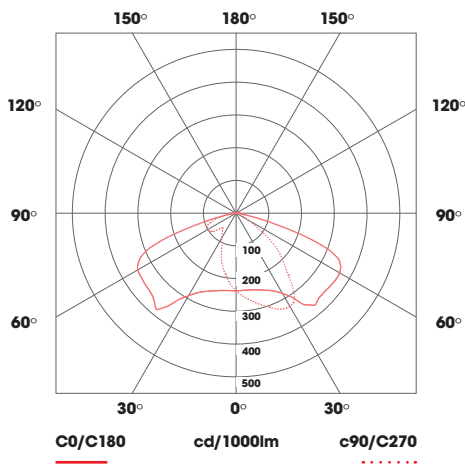
- Efficient with relatively low cost
- Long life
- Ease of installation and maintenance
- SANS-IEC 60598 safety mark

## Product Features

- Mild or stainless steel body with exterior polyester powder coated finish
- Efficient lens optics
- Integral LED driver and 10kV surge arrester
- Available in CCT 3000K, 4000K and 5000K
- LED life  $L_{80}B_{10}$  – 50 000 hours
- Driver life  $F_{10}$  – 100 000 hours
- Supply – 220-240V 50-60Hz PF > 0.95
- Ripple current (Flicker) < 5%
- 5 year guarantee



 **133 lm/W**



## Efficacy Rating

-  **PREMIUM RANGE** >140 lm/W
-  **MID RANGE** 120 - 140 lm/W
-  **ECO RANGE** 100 - 120 lm/W

| Luminaire Wattage | Luminaire Output (Lumens) | Colour Temperature | Efficacy lm/W | Ra (CRI) | Reference Code |
|-------------------|---------------------------|--------------------|---------------|----------|----------------|
| <b>2-Module</b>   |                           |                    |               |          |                |
| 54W (175mA)       | 7 220                     | 4000K              | 133           | >70      | PST-2-54W      |
| 80W (250mA)       | 10 180                    | 4000K              | 127           | >70      | PST-2-80W      |
| <b>3-Module</b>   |                           |                    |               |          |                |
| 120W (250mA)      | 15 270                    | 4000K              | 127           | >70      | PST-3-120W     |