

# SURFACE LIGHTING



Introducing the  
**REMO LED**



The **REMO SURFACE** is a decorative, stylish surface LED luminaire with clean lines and low glare specular aluminium louvre. Ideal for offices, conference facilities, schools and shopping malls.

**LIGHTING**  
**INNOVATIONS**  
**AFRICA**

A member of the Fagerhult Group

**Connecting** Light.  
Creating **Life**.



# REMO LED



## Product Benefits

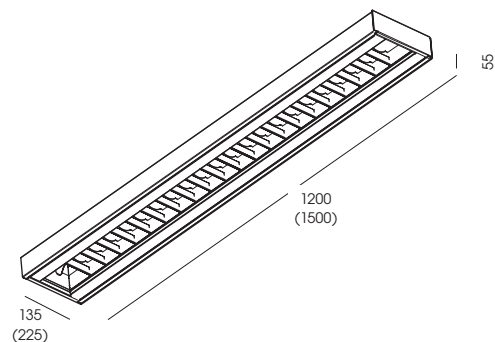
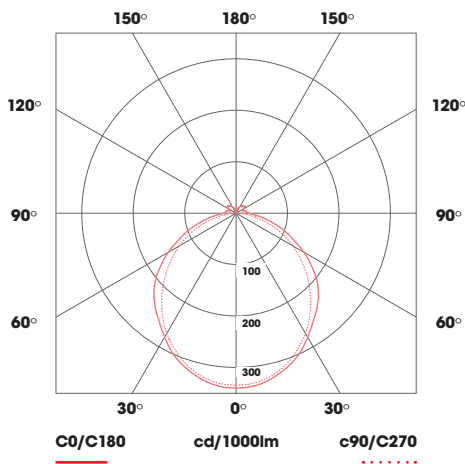
- Attractive and efficient
- Modern sleek design
- Good glare control – UGR < 19
- Low maintenance
- Integral LED driver
- Easy installation
- SABS approved driver
- SANS-IEC 60598 safety compliance and mark

## Product Features

- Highly efficient super-purity matt aluminium louvres with LED hiding diffuser
- Variable light output possible by adjusting LED drive current
- Options include DALI dimming, LI-Connect Bluetooth mesh control, tuneable white, emergency and sensor including Organic Response sensor
- Long life
- Available in 1 or 2 louvre and 1200mm or 1500mm module
- LED life  $L_{80}B_{10}$  – 50 000 hours
- Driver life  $F_{10}$  – 50 000 hours
- Supply – 220–240V 50–60Hz PF > 0.95
- Surge current (flicker) < 5%
- 5 year guarantee



 **110 lm/W**



## Efficacy Rating

-  **PREMIUM RANGE** >140 lm/W
-  **MID RANGE** 120 - 140 lm/W
-  **ECO RANGE** 100 - 120 lm/W

Luminaire Wattage	Luminaire Output (Lumens)	Colour Temperature	Efficacy lm/W	Ra (CRI)	Reference Code
<b>1-cell</b>					
13W (350mA)	1 400	4000K	108	>80	SLD-13W-1C6
19W (500mA)	1 920	4000K	101	>80	SLD-19W-1C6
22W (300mA)	2 440	4000K	110	>80	SLD-22W-1C12
40W (525mA)	4 020	4000K	100	>80	SLD-40W-1C12
28W (300mA)	3 050	4000K	110	>80	SLD-28W-1C15
53W (550mA)	5 240	4000K	100	>80	SLD-53W-1C15
<b>2-cell</b>					
26W (350mA)	2 800	4000K	108	>80	SLD-26W-2C6
38W (500mA)	3 840	4000K	101	>80	SLD-38W-2C6
44W (300mA)	4 880	4000K	110	>80	SLD-44W-2C12
80W (525mA)	8 040	4000K	100	>80	SLD-80W-2C12
56W (300mA)	6 100	4000K	110	>80	SLD-56W-2C15
106W (550mA)	10 480	4000K	100	>80	SLD-106W-2C15