

RECESSED LIGHT



Introducing the  
**INDIGO**



The **INDIGO** is a decorative, energy efficient recessed LED luminaire. This simple design makes a clear statement with the direct/indirect light, creating a comfortable and glare free environment. Ideal for waiting rooms, boardrooms, passages and offices.

**LIGHTING  
INNOVATIONS  
AFRICA**

A member of the Fagerhult Group

**Connecting** Light.  
Creating **Life.**



# INDIGO



## Product Benefits

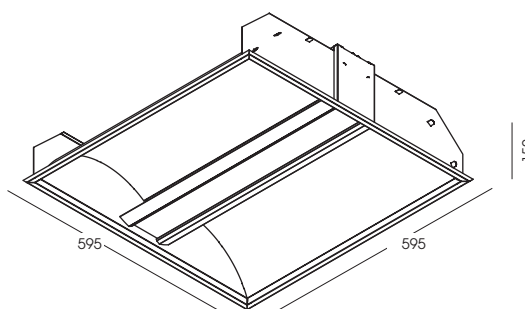
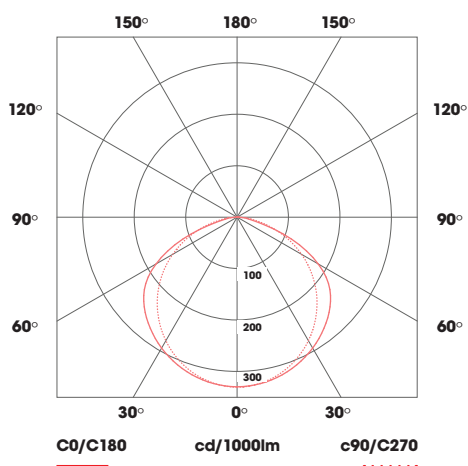
- Attractive and efficient
- Modern sleek design
- Low maintenance
- Integral LED driver
- Easy installation
- SABS approved driver
- SANS-IEC 60598 safety compliance and mark



## Product Features

- Recessed mounting in suspended ceilings
- Luminaire body of white enamelled (RAL 9016) sheet steel
- Diffuser in opal acrylic
- The luminaire has a switch for high/low output easily accessible at the rear of the luminaire
- Options include DALI dimming, LI-Connect Bluetooth mesh control and emergency
- LED life  $L_{80}B_{10}$  – 50 000 hours
- Driver life  $F_{10}$  – 50 000 hours
- Supply – 220–240V 50–60Hz PF > 0.95
- Surge current (flicker) < 5%
- 5 year guarantee

**100 lm/W**



## Efficacy Rating

**PREMIUM RANGE** >140 lm/W

**MID RANGE** 120 - 140 lm/W

**ECO RANGE** 100 - 120 lm/W

| Luminaire Wattage | Luminaire Output (Lumens) | Colour Temperature | Efficacy lm/W | Ra (CRI) | Reference Code |
|-------------------|---------------------------|--------------------|---------------|----------|----------------|
| 28W               | 2 806                     | 4000K              | 100           | >80      | IND-LED-28W    |
| 44W               | 4 181                     | 4000K              | 95            | >80      | IND-LED-44W    |

