

# FLOOD LIGHTING



## Introducing the **CAPTIVA**



The **CAPTIVA** floodlight range is a low cost exterior product with power options from 10W to 300W.

**LIGHTING  
INNOVATIONS  
AFRICA**

A member of the Fagerhult Group

**Connecting** Light.  
Creating **Life.**



# CAPTIVA



## Product Benefits

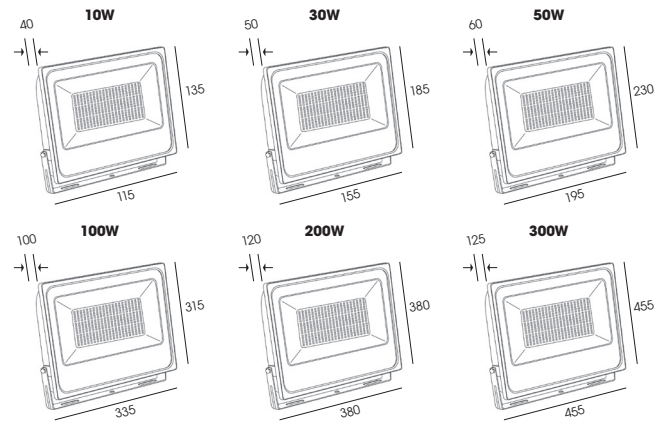
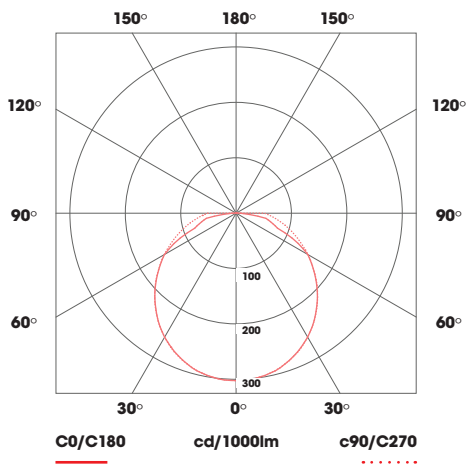
- Relatively low cost
- Long life
- Ease of installation and maintenance
- SANS-IEC 60598 safety mark

## Product Features


- Cast aluminium body with exterior black polyester powder coated finish
- Tempered glass cover
- Integral LED driver and 1.5kV surge arrestor
- Available in CCT 4000K and 6500K
- LED life  $L_{70B_{50}}$  - 50 000 hours
- Driver life  $F_{10}$  - 50 000 hours
- Supply - 220-240V 50-60Hz PF > 0.95
- Ripple current (Flicker) < 5%
- 5 year guarantee



 **100 lm/W**



## Efficacy Rating

-  **PREMIUM RANGE** >140 lm/W
-  **MID RANGE** 120 - 140 lm/W
-  **ECO RANGE** 100 - 120 lm/W

Luminaire Wattage	Luminaire Output (Lumens)	Colour Temperature	Efficacy lm/W	Ra (CRI)	Reference Code
10W	1 000	4000K	100	>80	LIFL-010-4K
30W	3 000	4000K	100	>80	LIFL-030-4K
50W	5 000	4000K	100	>80	LIFL-050-4K
50W	3 750	6500K	75	>80	LIFL-050-65K
100W	10 000	4000K	100	>80	LIFL-100-4K
100W	10 000	6500K	100	>80	LIFL-100-65K
200W	20 000	4000K	100	>80	LIFL-200-4K
200W	20 000	6500K	100	>80	LIFL-200-65K
300W	30 000	4000K	100	>80	LIFL-300-4K