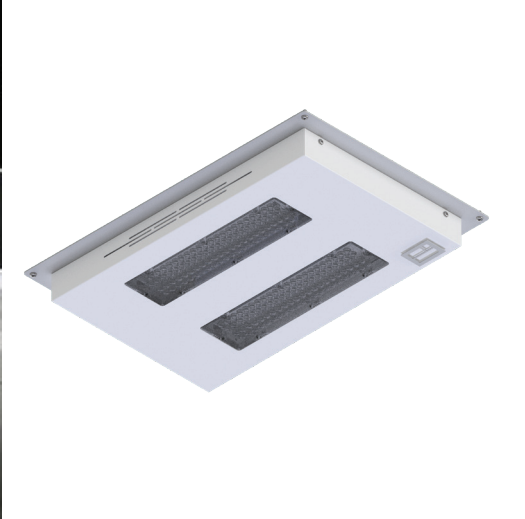


HIGHBAY LIGHTING



Introducing the **CANOPY**



The **CANOPY** is a surface or recessed luminaire for the illumination of service station forecourts. The luminaire has low glare optics to provide even illumination on the horizontal surfaces as well as providing additional vertical illuminance on the pumps.

**LIGHTING
INNOVATIONS
AFRICA**

A member of the Fagerhult Group

Connecting Light.
Creating **Life.**

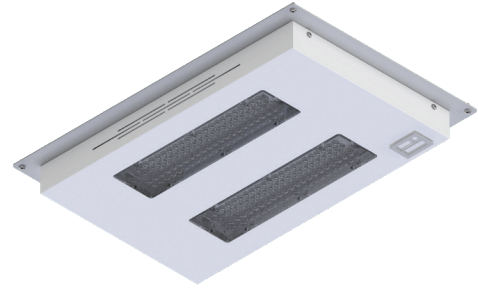


CANOPY



Product Benefits

- Attractive and efficient
- Modern sleek design
- Low maintenance
- Integral LED drivers
- Easy installation
- SABS approved driver
- SANS-IEC 60598 safety compliance and mark

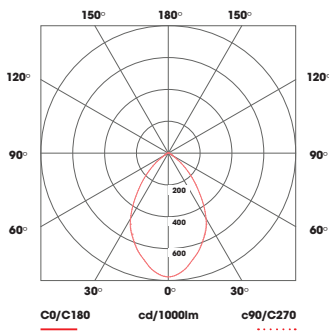


Product Features

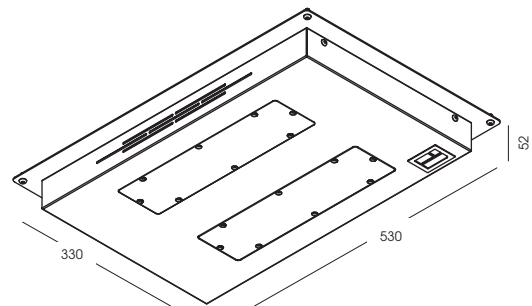
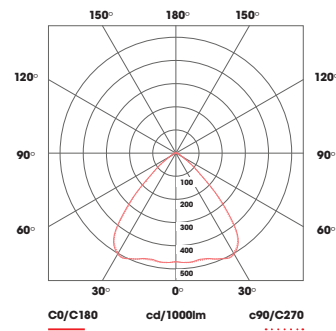
- Highly efficient lens optics
- Variable light output possible by adjusting LED drive current
- Options include emergency, DALI dimmable, LI-Connect Bluetooth mesh control and additional surge protection
- Long life
- LED life $L_{80}B_{10}$ – 50 000 hours
- Driver life F_{10} – 100 000 hours
- Supply = 220–240V 50–60Hz PF>0.95
- Surge current (flicker) < 5%
- 5 year guarantee

134 lm/W

Wide 60°



Wide 90°



Efficacy Rating

- PREMIUM RANGE** >140 lm/W
- MID RANGE** 120 - 140 lm/W
- ECO RANGE** 100 - 120 lm/W

Luminaire Wattage	Luminaire Output (Lumens)	Colour Temperature	Efficacy lm/W	Ra (CRI)	Reference Code
101W (700mA)	13 490	5000K	134	>80	SCNP-101W-2C6
158W (1050mA)	19 624	5000K	124	>80	SCNP-158W-2C6