



Introducing the **ALLURE MEDICAL**



The **ALLURE MEDICAL** is an efficient back-lit LED panel for medical applications with high colour rendering index of Ra 97.

The **ALLURE MEDICAL** takes advantage of the latest LED technology and light control film to provide a high efficacy product with very good glare control. The luminaire is sealed from underneath with a durable finish to enable easy cleaning.



**LIGHTING
INNOVATIONS
AFRICA**

A member of the Fagerhult Group

Connecting Light.
Creating Life.



Product Benefits

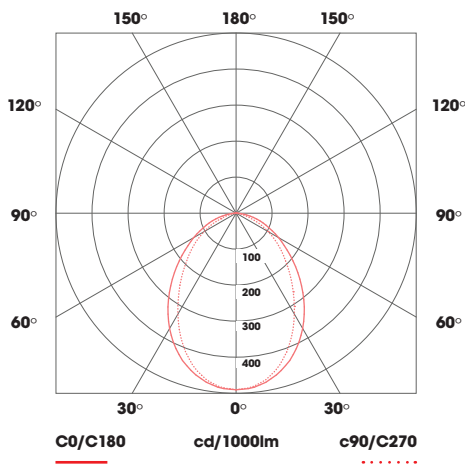
- Attractive and efficient
- Cyanosis Observation Index (COI) of 2.3 (maximum allowable < 3.3)
- Low glare – UGR < 19
- Integral LED driver
- Easy installation
- Low maintenance
- SABS approved driver
- SANS-IEC 60598 safety mark



Product Features

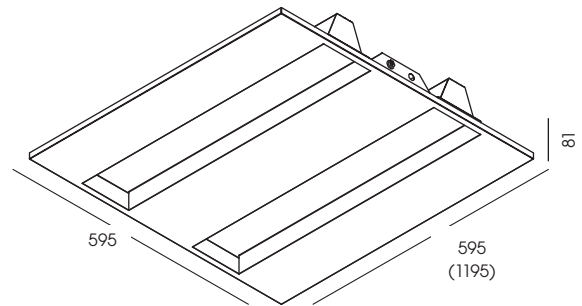
- Highly efficient diffuser with semi-recessed panels
- Variable light output possible by adjusting LED drive current
- Options include DALI dimmable, emergency, tuneable white, Li-Connect Bluetooth mesh control and Organic Response sensor
- Long Life
- Available in 1, 2 or 3 cell version – 600x600, 1200x300 or 1200x600 ceiling format
- LED life $L_{80}B_{10}$ – 50 000 hours
- Driver life F_{10} – 100 000 hours
- Supply – 220-240V 50-60Hz PF > 0.95
- Surge Current (Flicker) < 5%
- 5 year guarantee

 **119 lm/W**



Cyanosis Observation Index (COI)

Clinical observation is an important part of medical diagnosis, along with the early detection of cyanosis. Cyanosis is the bluish discoloration in the skin and mucous membranes that indicate oxygen levels in the blood are dangerously depleted. The standard defines Cyanosis Observation Index with an open ended numerical scale which ranks an artificial light source for the purpose of visual observation, a key fundamental to medical practitioners. This scale or COI cannot be greater than 3.3.



Efficacy Rating

 **PREMIUM RANGE** >140 lm/W

 **MID RANGE** 120 - 140 lm/W

 **ECO RANGE** 100 - 120 lm/W

Luminaire Wattage	Luminaire Output (Lumens)	Colour Temperature	Efficacy lm/W	Ra (CRI)	Reference Code
600x600 2-cell					
35W	3 700	4000K	105	>97	RLAm-35W-2C6
41W	4 180	4000K	103	>97	RLAm-41W-2C6
1200x300 1-cell HO					
44W	5 270	4000K	119	>97	RLAm-44W-1C12*3
72W	8 050	4000K	112	>97	RLAm-72W-1C12*3
1200x600 2-cell					
49W	5 320	4000K	108	>97	RLAm-49W-2C12
81W	8 360	4000K	103	>97	RLAm-81W-2C12
600x600 3-cell					
40W	4 260	4000K	107	>97	RLAm-40W-3C6
61W	6 270	4000K	105	>97	RLAm-61W-3C6
1200x600 3-cell					
74W	7 980	4000K	108	>97	RLAm-74W-3C12
122W	12 540	4000K	103	>97	RLAm-122W-3C12