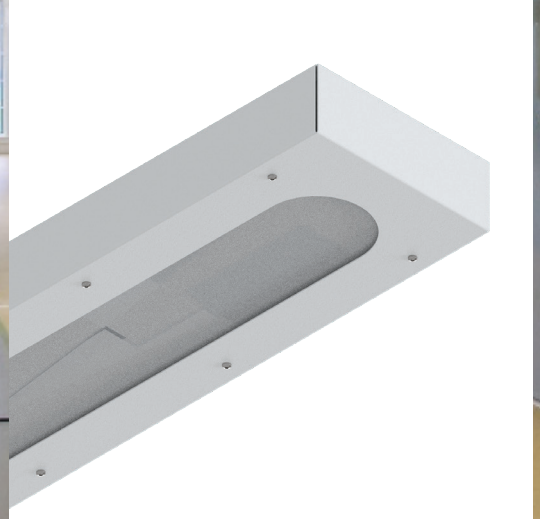


# VANDAL PROOF LIGHTING

## Introducing the **ALBAN**



The **ALBAN** is a surface mounted vandal-proof luminaire for the illumination of prison cells and other vulnerable interior and exterior areas.

**LIGHTING  
INNOVATIONS  
AFRICA**

A member of the Fagerhult Group

**Connecting** Light.  
Creating **Life.**



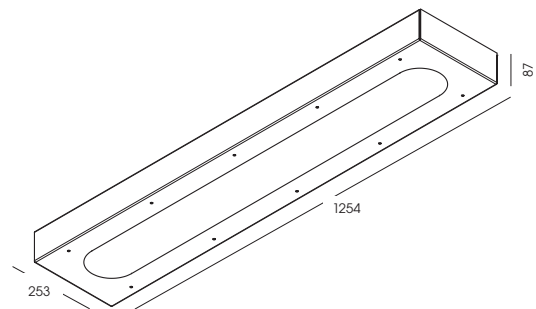
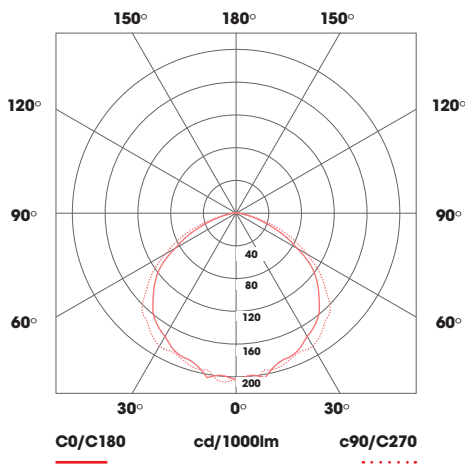


## Product Benefits

- Durable construction
- Low maintenance
- Integral LED drivers with nightlight
- Easy installation
- SABS approved driver
- SANS-IEC 60598 safety compliance and mark

## Product Features

- High impact rating of IK16
- Powder coated mild steel or optional stainless steel body
- Variable light output possible by adjusting LED drive current
- Options include emergency, DALI dimmable, LI-Connect Bluetooth mesh control and additional surge protection
- Long life
- LED life  $L_{80}B_{10}$  – 50 000 hours
- Driver life  $F_{10}$  – 100 000 hours
- Supply = 220–240V 50–60Hz PF>0.95
- Surge current (flicker) < 5%
- 5 year guarantee



Luminaire Wattage	Luminaire Output (Lumens)	Colour Temperature	Efficacy lm/W	Ra (CRI)	Reference Code
<b>1200mm format</b>					
39W (325mA)	3 550	4000K	91	>80	STP-39W-2R12
50W (400mA)	4 500	4000K	90	>80	STP-50W-2R12
64W (525mA)	5 600	4000K	88	>80	STP-64W-2R12