

# HIGHBAY LIGHTING



Introducing the  
**BENZ**



The **BENZ** is a decorative and stylish surface or suspended LED luminaire with a wide range of light distribution, length format and output options for retail, storage and industrial applications.

**LIGHTING**  
**INNOVATIONS**  
**AFRICA**

A member of the Fagerhult Group

**Connecting** Light.  
Creating **Life.**





**Product Benefits**

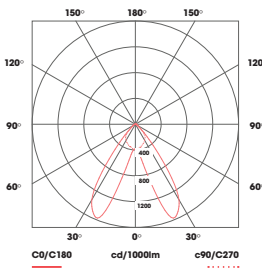
- Attractive and efficient
- Low maintenance
- Built-in LED driver
- Easy installation
- SABS approved control gear
- SANS-IEC 60598 safety compliance and mark

**Product Features**

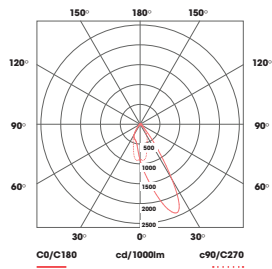
- Highly efficient modular optics
- Low glare
- Variable output possible by setting different drive currents
- Options include emergency, DALI dimmable, LI-Connect Bluetooth mesh control and additional surge protection
- Long life
- Stainless steel mounting clips allow simple installation
- LED life  $L_{80}B_{10}$  – 50 000 hours
- Driver life  $F_{10}$  – 100 000 hours
- Supply = 220–240V 50–60Hz PF>0.95
- Surge current (flicker) < 5%
- 5 year guarantee



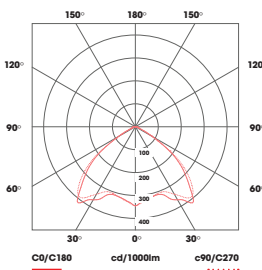
**Retail Symmetric**



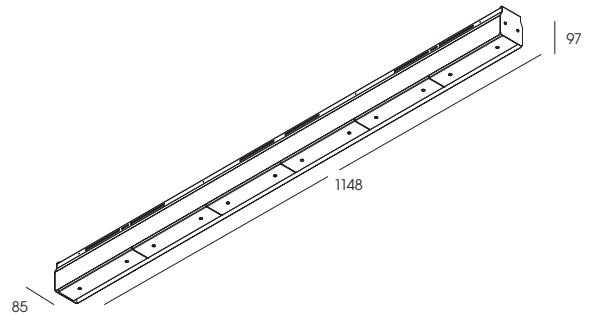
**Retail Asymmetric**



**Extra Wide**



**144 lm/W**



**Efficacy Rating**

- PREMIUM RANGE** >140 lm/W
- MID RANGE** 120 - 140 lm/W
- ECO RANGE** 100 - 120 lm/W

Luminaire Wattage	Luminaire Output (Lumens)	Colour Temperature	Efficacy lm/W	Ra (CRI)	Reference Code
<b>1148mm module</b>					
51W (325mA)	7 390	4000K	144	>80	SBZe-51W-3R12
75W (450mA)	10 430	4000K	140	>80	SBZe-75W-3R12
154W HB (500mA)	15 840	4000K	103	>80	SBZ-154W-3R12-HB
<b>1428mm module</b>					
64W (325mA)	9 240	4000K	144	>80	SBZe-64W-3R15
93W (450mA)	13 040	4000K	140	>80	SBZe-93W-3R15
193W HB (500mA)	19 800	4000K	103	>80	SBZ-193W-3R15-HB
<b>1708mm module</b>					
77W (325mA)	11 090	4000K	144	>80	SBZe-77W-3R17
112W (450mA)	15 650	4000K	140	>80	SBZe-112W-3R17
231W HB (500mA)	23 760	4000K	103	>80	SBZ-231W-3R17-HB